

BENNETT  MARINE



**EXCEPTIONAL TRIM TAB SYSTEMS.  
UNMATCHED RELIABILITY.**

*Bennett Marine is a  
Division of Yamaha Marine  
Systems Company, Inc.*





**BENNETT**  **MARINE**



*Bennett Marine is a Division of  
Yamaha Marine Systems Company, Inc.*

# Benefits you can feel **Reliability you can trust**

For over half a century, boaters have enjoyed the tangible benefits of Bennett Marine's exceptionally durable and dependable marine products. We're proud to say that boaters consistently trust our brand. After all, we invented the world's first adjustable trim tab—and millions of systems later, we continue to boldly innovate.

In 2017, Bennett Marine was acquired by Yamaha Motor Corporation and is now a division of Yamaha Marine Systems Company, Inc. Since then, Bennett Marine has benefited from Yamaha's full support and extensive resources, including continual investments in machinery, processes, staff development, and more—benefits that directly cascade to our customers.

## CONTENTS

BOLT Electric Kits	4-5
Hydraulic Trim Tab Kits	6-7
Helm Controls	8-9
Actuators & Trim Planes (Tabs)	10
Self-Leveling Kits	11
Dealer Service Kit	11
Common Replacement Parts	12
Trim Tab Usability Overview	14



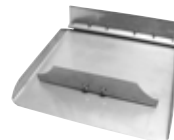
4-5



6-7



8-9



10



11



12

## Lenco-to-BOLT Conversion Kit (12V)

CONTROLS & TABS SOLD SEPARATELY



This kit includes everything necessary for a cost-effective, quick, and easy upgrade from Lenco actuators to Bennett's exceptionally durable and dependable actuators. Bennett electric actuators are built to last, backed by a lifetime limited warranty.

- Works with Lenco "Standard Mount," "Standard Performance," and "Edge Mount" systems
- Plug-and-play connection to your existing standard Lenco controls (Determine compatibility at [BennettTrimTabs.com/Lenco-to-Bolt](http://BennettTrimTabs.com/Lenco-to-Bolt))
- Simply replace the Lenco actuators with Bennett BOLT actuators using the existing drill holes
- No new holes to drill. Keep your existing trim tabs

PN #	Yamaha #	Description
BOLTLCON	6BT-50013-60-00	Lenco-to-BOLT Upgrade Kit (Controls & tabs not included)

## Hydraulic-to-BOLT Conversion Kit

CONTROLS & TABS SOLD SEPARATELY



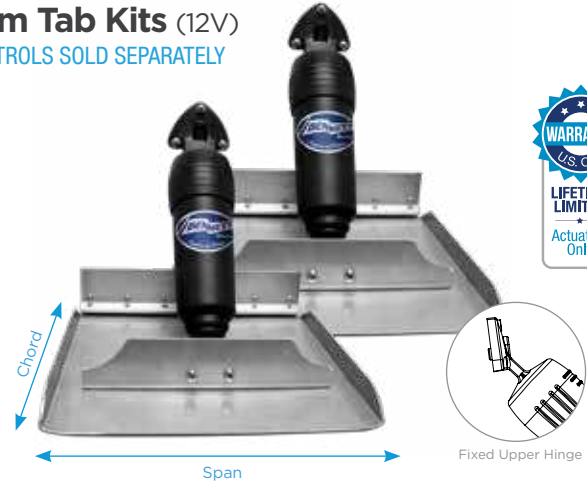
All you need for a quick and easy conversion from Bennett hydraulic actuators to Bennett BOLT electric actuators. BOLT actuators are exceptionally durable and dependable, backed by a lifetime limited warranty.

- Quick and easy conversion from standard Bennett hydraulic single actuator systems (A1101A / 6BT-50084-35-00), using your existing wiring, rocker switch, and trim tabs
- No rewiring or drilling of new holes required
- Plug-and-play connection to your existing standard Bennett Rocker Switch (ES2000 / 6BT-50030-16-00). Includes auto tab retraction and diagnostics relay module

PN #	Yamaha #	Description
HYDBOLTCON	6BT-50040-42-00	Hydraulic-to-BOLT Conversion Kit

## BOLT Electric Trim Tab Kits (12V)

CONTROLS SOLD SEPARATELY



Balance loads, plane faster, increase efficiency and performance with Bennett BOLT Electric Trim Tab systems, built to outlast any electric trim tab system on the market.

### Kits Include:

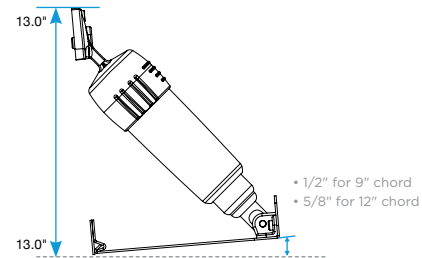
- (2) 12-volt fixed upper hinge actuators with 6-ft. wire harnesses and waterproof connectors (BEA2000 / 6BT-50012-02-00)
- (2) Stainless steel trim planes (tabs) and mounting plates
- (2) 20-ft. wire harnesses with waterproof connectors (BAW2020 / 6BT-50011-80-00)

Bennett#	Yamaha #	Span/Chord	*Tab
BOLT124	6BT-50013-43-00	12"x4"	(P)
BOLT129	6BT-50013-44-00	12"x9"	(T)
BOLT189	6BT-50013-49-00	18"x9"	(T)
BOLT249	6BT-50013-52-00	24"x9"	(T)
BOLT1212	6BT-50013-38-00	12"x12"	(R)
BOLT1812	6BT-50013-47-00	18"x12"	(R)
BOLT2412	6BT-50013-51-00	24"x12"	(R)
*BOLTBLTADJ	6BT-50013-59-00		
*BOLTBLT	6BT-50013-57-00		

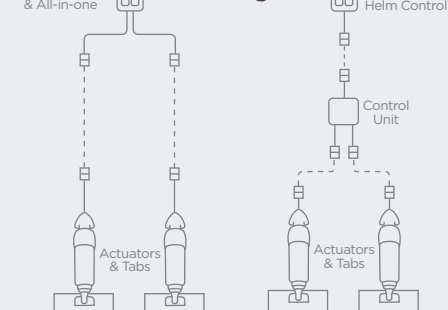
\* BOLTBLTADJ & BOLTBLT Sets include the same items, less tabs

### Features Include:

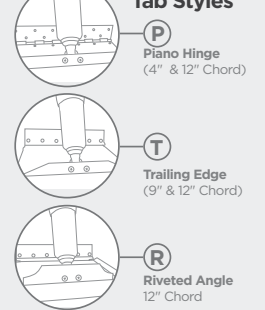
- Completely sealed upper hinge with no exposed wires



### Basic Diagrams

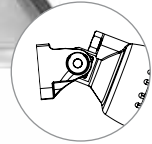
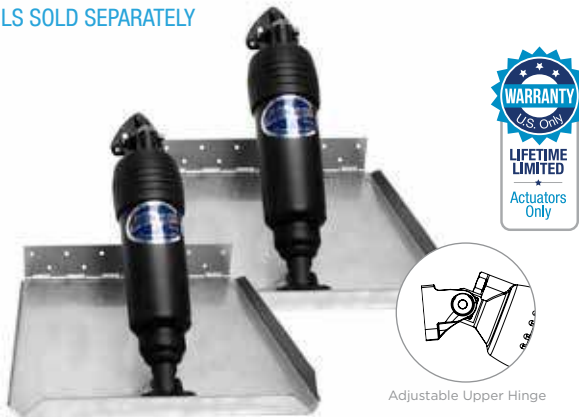


### Tab Styles\*



## BOLT Electric - Edge Mount Limited Space Trim Tab Kits (12V)

CONTROLS SOLD SEPARATELY



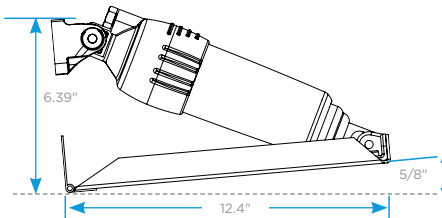
Adjustable Upper Hinge

Designed with an adjustable upper hinge for transoms with limited vertical space. Tabs turn up for added strength and feature piano-hinged backing plates. Requires less than 6.5" of vertical transom space to install.

### Kits Include:

- (2) 12-volt adjustable upper hinge actuators with 6-ft. cables and waterproof connectors (BEA3000 / 6BT-50012-09-00)
- (2) Stainless steel trim planes (tabs) and mounting plates
- (2) 20-ft. wire harnesses with waterproof connectors (BAW2020 / 6BT-50011-80-00)

PN#	Yamaha #	Span/Chord	*Tab
BOLT612ED	6BT-50013-53-00	6"x12"	(P)
BOLT912ED	6BT-50013-54-00	9"x12"	(P)
BOLT1212ED	6BT-50013-41-00	12"x12"	(P)
BOLTLTADJ	Tabs not included		



VERTICAL HEIGHT REQUIREMENT PER TRANSOM ANGLE

EDGE MOUNT BOLT SETS	0 DEG	5 DEG	10 DEG	15 DEG	17 DEG
BOLT612ED, BOLT912ED, BOLT1212ED	6.5" (16.51cm)	7.8" (19.812cm)	9.2" (23.368cm)	10.7" (27.178cm)	11.3" (28.702cm)

## BOLT Short Electric Actuator Sets NEW

Designed specifically for boat builder customers needing to fit limited-space transom pockets, this set features the new SEA3000 (6BT-50111-72-00) short electric actuators.



PN#	Yamaha #	Span/Chord	*Tab	CONTROLS SOLD SEPARATELY
BOLT129SML	6BT-50111-70-00	12"x9"	(T)	

### Helm Control Options (Sold separately)

See page 8 for detailed control information



Rocker Control	Joystick Control	All-in-one Control	AutoTrim Pro
BRC4000	JOY1000	OBI9000E	AP000A1BC
6BT-50017-40-00	6BT-50100-19-00	6BT-50103-40-00	6BT-50095-66-00

Bennett part numbers listed first. Yamaha Part Numbers listed below.

## BOLT High Performance Trim Tab Systems (12V)

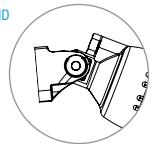


10-Gauge Stainless

12-Gauge Stainless



CONTROLS NOT INCLUDED FOR BOLT1216HD



Adjustable Upper Hinge

DUAL ACTUATOR KITS INCLUDE OBI HELM CONTROL

Designed for rougher conditions and higher speeds with extremely durable, electro-polished stainless steel tabs, featuring a full-profile backing plate, and up-fins for added strength. Sets ship fully assembled for efficient installation.



R4 anodes included to prevent electrolysis damage

PN#	Yamaha #	Span/Chord	*Tab*	*ACT.
BOLT1216HD	6BT-50104-81-00	12"x16"	(P)	☑
BOLT1420HD-OBI	6BT-50119-78-00	14"x20"	(P)	☑
BOLT1423HD-OBI	6BT-50119-79-00	14"x23"	(P)	☑

### Dual Actuator Kits Include:

BOLT1420HD-OBI and BOLT1423HD-OBI

- (4) 12-volt adjustable upper hinge actuators with 6-ft. wire harnesses and waterproof connectors (BEA3000 / 6BT-50012-09-00)
- (1) OBI Helm Control (OBI9000E / 6BT-50103-40-00)
- (2) 14x20" or 14x23" heavy-duty tapered electro-polished 10-gauge stainless steel trim tabs
- (4) 20-ft. wire harnesses with waterproof connectors (BAW2020 / 6BT-50011-80-00)

### Single Kits Include:

BOLT1216HD

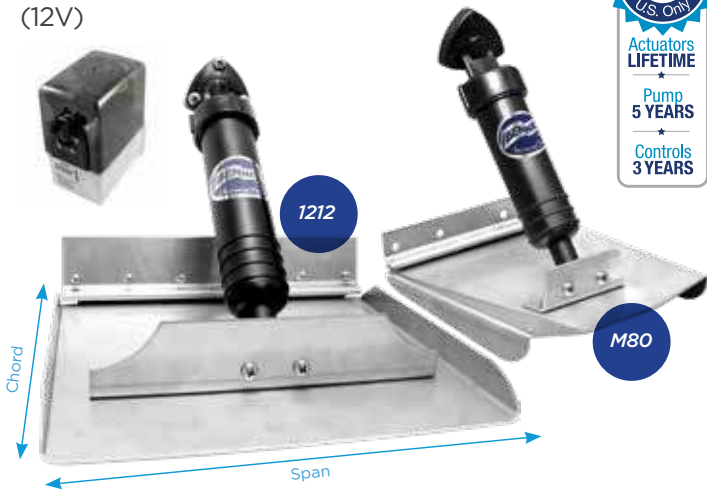
- (2) 12-volt adjustable upper hinge actuators with 6-ft. wire harnesses and waterproof connectors (BEA3000 / 6BT-50012-09-00)
- (2) 12" span x 16 chord" heavy-duty tapered electro-polished 12-gauge stainless steel trim tabs
- (2) 20-ft. wire harnesses with waterproof connectors (BAW2020 / 6BT-50011-80-00)





# Hydraulic Standard (Classic) & Sport Trim Tab Kits

## Standard Hydraulic Trim Tab Kits & Sport Limited-Space Kits (M80/M120) (12V)



Hydraulic trim tabs are known for power, precision, and durability. Get the most from your boat, no matter what the load, speed, or sea conditions. Using the helm control, you can adjust the tabs individually or in unison to create the perfect cruising attitude. Increase speed and fuel economy, smooth a rough ride, and get on plane faster.

### Kits Include:

- (2) Trim plane assemblies
- (2-4) Hydraulic actuators (A1101A / 6BT-50084-35-00)
- (1) Hydraulic power unit (V351HPUID / 6BT-50086-73-00)
- Hydraulic tubing and hardware
- Optional helm control (See below)

### Features Include:

- Get on plane fast, and stay on plane at intermediate speeds
- Correct listing and uneven loads
- Improve visibility and safety
- Reduce pounding and eliminate porpoising
- Low maintenance, long-term value, and ease of service
- Exclusive transom mount interlocking tab design
- Sport batwing option (M80/M120) provides 30% more lift for limited-space installations
- Bottom and piano hinge mounts are available for custom order

## Kits without Control Included

PN#	Yamaha #	Span/Chord	*Tab	*ACT.
129	6BT-50000-73-00	12"x9"	T	✓
189	6BT-50001-82-00	18"x9"	T	✓
249	6BT-50002-87-00	24"x9"	T	✓
309	6BT-50003-28-00	30"x9"	T	✓
369	6BT-50003-68-00	36"x9"	T	✓
429	6BT-50004-04-00	42"x9"	T	✓
489	6BT-50004-19-00	48"x9"	T	✓
549	6BT-50004-32-00	54"x9"	T	✓
1212	6BT-50000-52-00	12"x12"	R	✓
1812	6BT-50001-41-00	18"x12"	R	✓
2412	6BT-50002-65-00	24"x12"	R	✓
3012	6BT-50003-09-00	30"x12"	R	✓
3612	6BT-50003-56-00	36"x12"	R	✓
4212	6BT-50003-94-00	42"x12"	R	✓
4812	6BT-50004-08-00	48"x12"	R	✓
5412	6BT-50004-27-00	54"x12"	R	✓
6012	6BT-50004-37-00	60"x12"	R	✓
6612	6BT-50004-60-00	66"x12"	R	✓
7212	6BT-50004-67-00	72"x12"	R	✓

\*Actuators per tab

## Complete Kits with Rocker Control



PN#	Yamaha #	Span/Chord	*Tab	*ACT.
M80	6BT-50042-32-00	8"x10"	S	✓
M120	6BT-50042-22-00	10"x12"	S	✓
129E	6BT-50000-77-00	12"x9"	T	✓
189E	6BT-50001-87-00	18"x9"	T	✓
249E	6BT-50002-89-00	24"x9"	T	✓
309E	6BT-50003-29-00	30"x9"	T	✓
369E	6BT-50003-71-00	36"x9"	T	✓
429E	6BT-50004-05-00	42"x9"	T	✓
489E	6BT-50004-21-00	48"x9"	T	✓
549E	6BT-50004-34-00	54"x9"	T	✓
1212E	6BT-50000-57-00	12"x12"	R	✓
1812E	6BT-50001-48-00	18"x12"	R	✓
2412E	6BT-50002-72-00	24"x12"	R	✓
3012E	6BT-50003-18-00	30"x12"	R	✓
3612E	6BT-50003-63-00	36"x12"	R	✓
4212E	6BT-50003-99-00	42"x12"	R	✓
4812E	6BT-50004-10-00	48"x12"	R	✓
5412E	6BT-50004-29-00	54"x12"	R	✓
6012E	6BT-50004-38-00	60"x12"	R	✓
6612E	6BT-50004-61-00	66"x12"	R	✓
7212E	6BT-50004-68-00	72"x12"	R	✓

\*Actuators per tab

## Complete Kits with All-in-one Control



PN#	Yamaha #	Span/Chord	*Tab	*ACT.
M80BI	6BT-50110-78-00	8"x10"	S	✓
M120BI	6BT-50110-79-00	10"x12"	S	✓
129BI	6BT-50110-87-00	12"x9"	T	✓
189BI	6BT-50110-85-00	18"x9"	T	✓
249BI	6BT-50110-88-00	24"x9"	T	✓
1212BI	6BT-50110-89-00	12"x12"	R	✓
1812BI	6BT-50110-90-00	18"x12"	R	✓
2412BI	6BT-50110-91-00	24"x12"	R	✓

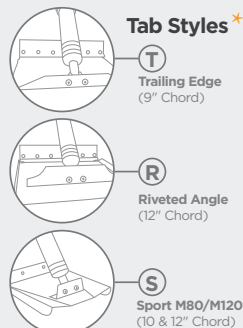
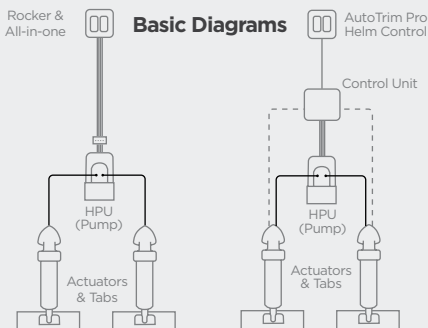
\*Actuators per tab

## Complete Kits with AutoTrim Pro

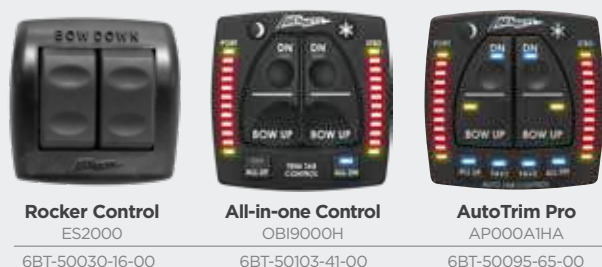


PN#	Yamaha #	Span/Chord	*Tab	*ACT.
M80ATP	6BT-50042-34-00	8"x10"	S	✓
M120ATP	6BT-50042-23-00	10"x12"	S	✓
129ATP	6BT-50000-76-00	12"x9"	T	✓
189ATP	6BT-50001-85-00	18"x9"	T	✓
249ATP	6BT-50002-88-00	24"x9"	T	✓
1212ATP	6BT-50000-53-00	12"x12"	R	✓
1812ATP	6BT-50001-42-00	18"x12"	R	✓
2412ATP	6BT-50002-66-00	24"x12"	R	✓

\*Actuators per tab



### Helm Control Options



See page 8 for detailed information and more set retrofit options.

**Rocker Control** ES2000 6BT-50030-16-00  
**All-in-one Control** OBI9000H 6BT-50103-41-00  
**AutoTrim Pro** APO00A1HA 6BT-50095-65-00

Bennett part numbers listed first. Yamaha Part Numbers listed below.

## Performance Electro-polished Trim Tab Kits (12V)



Enjoy the electro-polished finish of Performance Tabs. Manufactured with heavy-gauge reinforced stainless steel tabs, and powerful hydraulic actuators. Performance Tabs combine strength, durability, and good looks to achieve your boat's maximum potential.

### Features Include:

- Get on plane fast and stay on plane at intermediate speeds
- Correct listing and uneven loads
- Reduce pounding and eliminate porpoising
- Improve visibility and safety
- Low maintenance with long-term value

### Kits Include:

- (1) Helm control (Rocker, OBI, or ATP)  
(See page 8-9)
- (2) Trim plane assemblies
- (2-4) Hydraulic actuators
- (1) Hydraulic Power Unit  
(V351HPUID / 6BT-50086-73-00)
- Hydraulic tubing and hardware

### Complete Kits With AutoTrim Pro



PN#	Yamaha #	Span/Chord	*Tab	*ACT.
ST9ATP	6BT-50085-45-00	12"x9"	(T)	☑
ST12ATP	6BT-50063-02-00	12"x12"	(R)	☑
ST16ATP	6BT-50063-09-00	12"x16"	(R)	☑

\*Actuators per tab

### Complete Kits with Rocker



PN#	Yamaha #	Span/Chord	*Tab	*ACT.
ST9	6BT-50063-16-00	12"x9"	(T)	☑
ST12	6BT-50063-01-00	12"x12"	(R)	☑
ST16	6BT-50063-07-00	12"x16"	(R)	☑

\*Actuators per tab

### Complete Kits with All-in-one Control



PN#	Yamaha #	Span/Chord	*Tab	*ACT.
ST9OBI	6BT-50111-76-00	12"x9"	(T)	☑
ST12OBI	6BT-50111-14-00	12"x12"	(R)	☑
ST16OBI	6BT-50111-15-00	12"x16"	(R)	☑

\*Actuators per tab

## Premier Line Stainless Steel XPT, BXT, & SST Trim Tab Kits (12V)

24V Available - Call for Details



When only the best will do, Bennett's exceptional Premier Line Trim Tab systems are your only option. With superior design and engineering, Premier systems are built to the highest standards of durability, uniting form and function by employing the highest quality materials and the power of hydraulics.

### Features Include:

- Designed for luxury motor yachts, military and government vessels, high-performance sport fishing boats, and commercial vessels
- No external hydraulic lines or cables exposed to extreme marine environments
- All stainless steel construction assures highest resistance to corrosion from dissimilar metals
- Powerful dual acting hydraulics provide precision control of the stainless steel actuators
- Multiple actuator mounting points provide adjustability
- Backed by Bennett's legendary customer service

### Kits Include:

- (1) Helm control (OBI or AutoTrim Pro)
- (2) Compact dual acting hydraulic power units
- (2-4) Stainless steel hydraulic actuators
- (2) Heavy duty 7-gauge trim planes
- Hydraulic tubing and hardware

### Complete Kits with OBI



PN#	SPAN/CHORD	*ACTUATORS
XPT1218OBI	12"x18"	☑
XPT1520OBI	15"x20"	☑
XPT1824OBI	18"x24"	☑
BXTOBI	Custom	☑
SSTOBI	Custom	☑

### Complete Kits with AutoTrim Pro



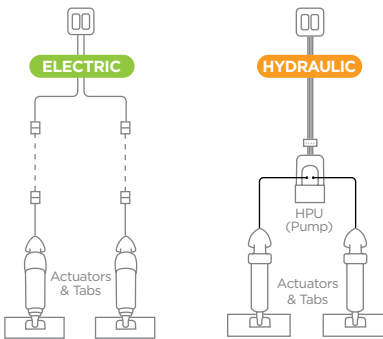
PN#	SPAN/CHORD	*ACTUATORS
XPT1218ATP	12"x18"	☑
XPT1520ATP	15"x20"	☑
XPT1824ATP	18"x24"	☑
BXTATP	Custom	☑
SSTATP	Custom	☑

## Rocker Switch Control (12V)



This economic control is ergonomically designed, water resistant, and provides a distinctive “click” when the trim tabs are engaged.

### Basic System Diagram



PN#	Yamaha #	Description
ES2000	6BT-50030-16-00	<b>H</b> Rocker Switch for Hydraulic Systems
BRC4000	6BT-50017-40-00	<b>E</b> Rocker Switch for Electric Systems

## All-in-one Indicator Control (12V)

Also known as OBI Control and Integrated Helm Control



An attractive and user-friendly, stand-alone helm control without the need for an external control unit. The functionality and “brains” of the control unit are engineered directly into a single, space-saving, and simple-to-install keypad.

### Included:

- (1) Helm Control w/3-ft. cable and waterproof cables
- Included with hydraulic only**
- (2) Upper Hinge Screw-on Sensors

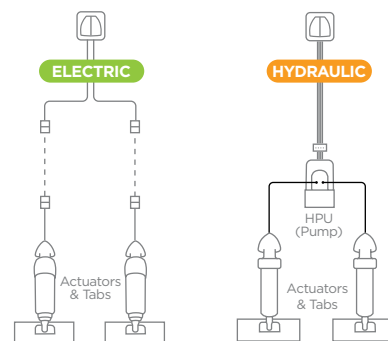


Retail Packaging

### Features Include:

- Convenient “All Up” and “All Down” buttons
- Trim tab position LEDs always show you where your tabs are
- Auto tab retraction (tabs retract up when the ignition is powered off)
- Easy-to-install single lock nut design
- Compatible with other trim tab system brands
- Easily upgrade from hydraulic systems without tab position indication

### Basic System Diagram



PN#	Yamaha #	Description
OBI9000H	6BT-50103-41-00	<b>H</b> All-in-one Indicator Control for Hydraulic Systems
OBI9000E	6BT-50103-40-00	<b>E</b> All-in-one Indicator Control for Electric Systems



## AutoTrim Pro Automatic Control (12V)



*Put Your Trim Tabs on Autopilot*



AutoTrim Pro is an all-in-one auto trim tab control system designed for boats of all sizes—packing a boatload of essential features into an easy-to-use, space-saving keypad. Reduce bow rise, improve visibility, correct listing—automatically.

### Kits Include:

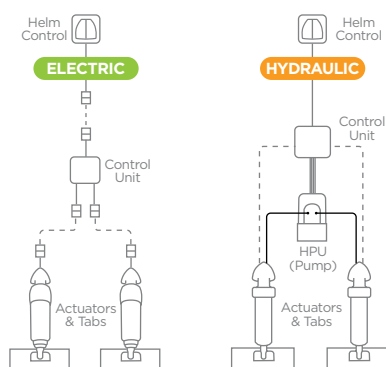
- (1) ATP helm display w/3-ft. cable (ATPDISP)
- (1) ATP control unit w/3-ft. cable (ATPHYDCTRL or ATPBOLTCTRL)
- (1) 25' extension cable (BHW4025)
- Required hardware



### Features Include:

- Compatible with Bennett hydraulic or electric trim tab systems and most non-Bennett trim tab systems
- Auto trim tab control with favorite buttons
- Take manual control of your trim tabs at any time
- Trim tab position indication with adjustable L.E.D.s
- Auto tab retraction when ignition is powered off

### Basic System Diagram



Control Unit

PN#	Yamaha #	Description
AP000A1HA	6BT-50095-65-00	<b>H</b> AutoTrim Pro for Hydraulic Systems
AP000A1BC	6BT-50095-66-00	<b>E</b> AutoTrim Pro for Electric Systems

## Joystick Helm Control (12V) **ELECTRIC ONLY**



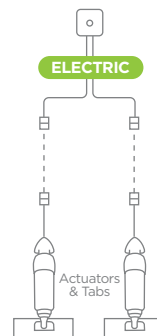
Charles Bennett originally introduced adjustable trim tabs with joystick controls inspired by aircraft ailerons and controls. The joystick helm control acclaimed for its instinctive and intuitive interface is back—with a sleek redesign!

### Features Include:

- Easily trim your vessel like a boss!
- Instinctive and intuitive feel and operation
- Connects directly to your actuators with plug-and-play connectors
- Auto tab retraction (tabs retract up when the ignition is powered off)
- Compatible with other trim tab system brands



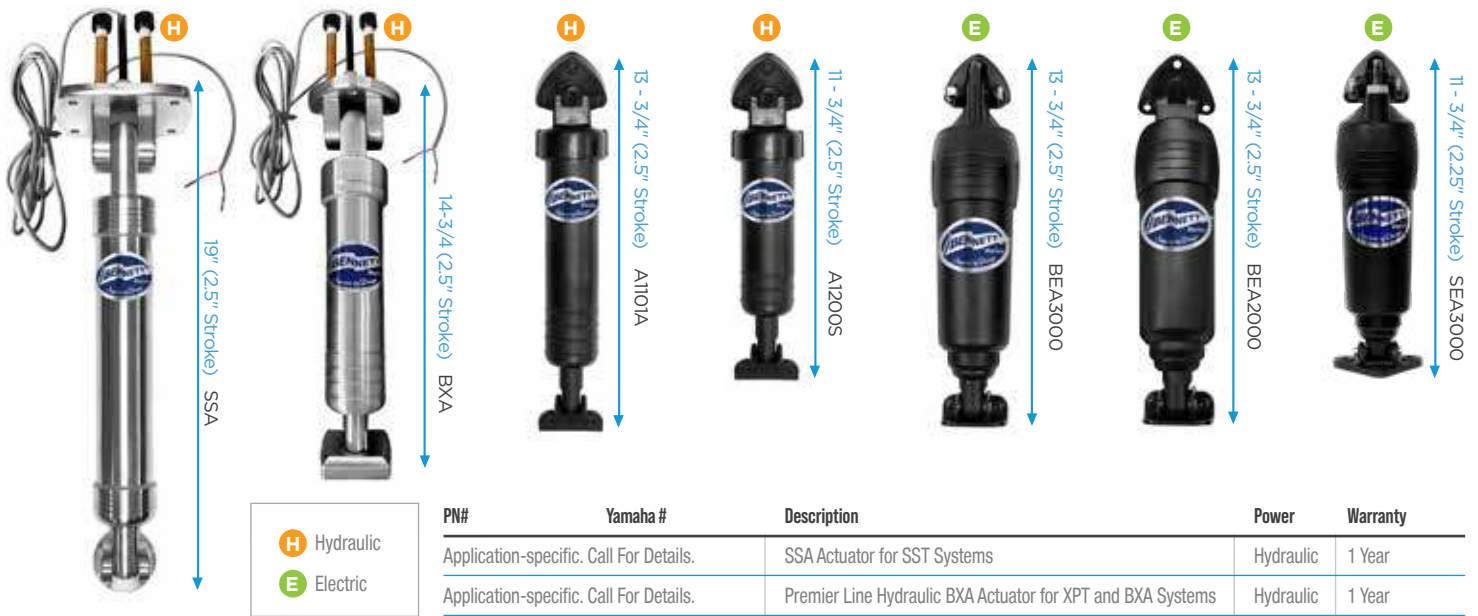
### Basic System Diagram



PN#	Yamaha #	Description
JOY1000	6BT-50100-19-00	<b>E</b> Joystick Helm Control for Electric Systems



# Actuators & Trim Plane Assemblies



## Actuators

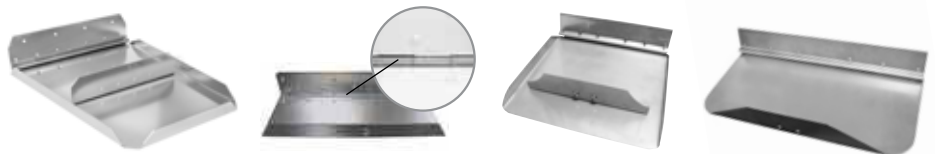
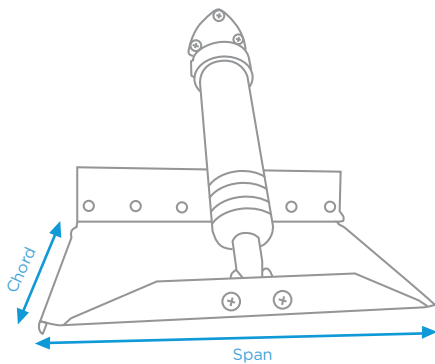
Bennett actuators are built to last, maintenance-free, and backed by Bennett's legendary support.

PN#	Yamaha #	Description	Power	Warranty
Application-specific. Call For Details.		SSA Actuator for SST Systems	Hydraulic	1 Year
Application-specific. Call For Details.		Premier Line Hydraulic BXA Actuator for XPT and BXA Systems	Hydraulic	1 Year
A1101A	6BT-50084-35-00	Standard Length Hydraulic Actuator	Hydraulic	Lifetime Limited
A1200S	6BT-50084-79-00	Short Hydraulic Actuator	Hydraulic	Lifetime Limited
BEA3000	6BT-50012-09-00	BOLT Electric Actuator with Adjustable Upper Hinge	Electric	Lifetime Limited
BEA2000	6BT-50012-02-00	BOLT Electric Actuator with Fixed Upper Hinge	Electric	Lifetime Limited
SEA3000	6BT-50111-72-00	Short Electric Actuator	Electric	Lifetime Limited

**Actuator variations not shown:** A1101CP (Actuator with 30' sensor wire for TPI or NMEA), A1101CPEIC (Actuator with 10' sensor wire for EIC), SLT actuators

## Trim Plane Assemblies

Bennett Marine's durable and dependable trim planes are made of high quality 12 or 14-gauge 304 stainless steel. Each trim plane assembly (for one side of the boat) includes a trim plane, hinge plate, and backing plate.



### Performance

PN#	Yamaha #	Span/Chord
TPAST9	6BT-50073-38-00	12"x9"
TPAST12	6BT-50073-35-00	12"x12"
TPAST16P	6BT-50073-36-00	12"x16"
TPAST16S	6BT-50073-37-00	12"x16"

### Piano Hinge

PN#	Yamaha #	Span/Chord
TPA124	6BT-50069-25-00	12"x4"
TPA912ED	6BT-50070-94-00	9"x12"
TPA1212ED	6BT-50068-99-00	12"x12"

### Riveted Angle

PN#	Yamaha #	Span/Chord
TPA1212	6BT-50068-93-00	12"x12"
TPA1812	6BT-50069-62-00	18"x12"
TPA2412	6BT-50070-01-00	24"x12"
TPA3012	6BT-50070-18-00	30"x12"
TPA3612	6BT-50070-36-00	36"x12"
TPA4212	6BT-50070-52-00	42"x12"
TPA4812	6BT-50070-63-00	48"x12"
TPA5412	6BT-50070-73-00	54"x12"

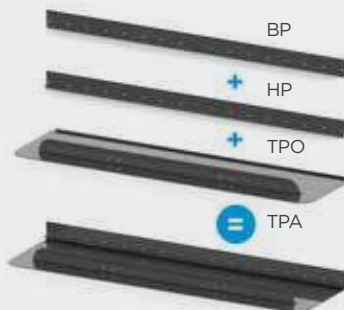
### Trailing Edge

PN#	Yamaha #	Span/Chord
TPA129	6BT-50069-27-00	12"x9"
TPA189	6BT-50069-70-00	18"x9"
TPA249	6BT-50070-13-00	24"x9"
TPA309	6BT-50070-29-00	30"x9"
TPA369	6BT-50070-44-00	36"x9"
TPA429	6BT-50070-57-00	42"x9"
TPA489	6BT-50070-66-00	48"x9"
TPA549	6BT-50070-78-00	54"x9"

## Assembly Components

Trim Plane Assemblies (TPA) consist of 3 main components, which can all be ordered separately. When ordering separately, simply swap "TPA" with the acronyms below. For example: HPI2 is a 12" Hinge Plate Only.

- **BP** - Backing Plate Only
- **HP** - Hinge Plate Only
- **TPO** - Trim Plane Only



### Sport Tabs (M80/M120)

PN#	Yamaha #	Span/Chord
TPAM80	6BT-50072-10-00	8"x10"
TPAM120	6BT-50072-09-00	10"x12"

## Self-Leveling Tabs (SLT)

SPRING-LOADED. NO HELM CONTROLS NEEDED.



A simple, durable, and affordable trimming solution for smaller boats. Quick and easy installation with nothing to do inside the boat—just mount the actuators and trim tabs on the transom and enjoy the benefits.

### Kits Include:

- (2) 14-gauge stainless steel tabs with Bennett's exclusive interlocking hinge
- (2) Strong, durable, spring-loaded actuators
- All stainless steel hardware

### Features Include:

- Three mounting options to easily change lift
- Plane at lower speeds
- Improve fuel efficiency
- Eliminate porpoising and chine walking
- Improve your hole shot
- Reduce engine laboring and improve fuel efficiency



PN#	Yamaha #	Description
SLT6	6BT-50059-26-00	SLT6 - 6"x 8" Spring-loaded Tabs for Small boats up to 16' (60 lb. spring)
SLT10	6BT-50058-93-00	SLT10 - 10"x10" Spring-loaded Tabs for Small boats 17'-20' (90 lb. spring)

▶ Watch the video [BennettTrimTabs.com/SLT](http://BennettTrimTabs.com/SLT)



## Part Number: 6BT-DLSVR-KT-00

The Bennett Marine Dealer Service Kit is exclusively offered to stocking dealers and repair yards, which is an affordable way to acquire the most common Bennett trim tab system replacement parts. Stock up and save!



### Kits Include:

- |  |  |
|--|--|
| (1) <b>BOLTBLTADJ</b><br>BOLT Electric System (Less Tabs)      | (1) <b>V351HPU1D</b><br>Hydraulic Power Unit 12V w/Deutsch |
| (1) <b>H1170A</b><br>Hardware Kit A                            | (1) <b>BRC4000</b><br>Rocker Switch for Electric Systems   |
| (1) <b>H1170B</b><br>Hardware Kit B                            | (1) <b>ES2000</b><br>Rocker Switch for Hydraulic           |
| (2) <b>T1127</b><br>Nut with Ferrule                           | (2) <b>T112520</b><br>20' Hydraulic Tubing                 |
| (2) <b>A1114</b><br>Lower Hinge with Hinge Pin                 | (2) <b>H1179</b><br>Mounting Bracket for HPU               |
| (2) <b>A1101CPEIC</b><br>Hydraulic Actuator with Sensor        | (2) <b>VP1135G</b><br>Solenoid Valve (G)                   |
| (2) <b>A1200SCPEIC</b><br>Short Hydraulic Actuator with Sensor | (2) <b>VP1135R</b><br>Solenoid Valve (R)                   |



By purchasing a Bennett Marine Dealer Service Kit, not only are you saving hundreds of dollars on the most common replacement parts, you're becoming a local resource to a host of Bennett customers. As an added benefit, your company will be listed as an Authorized Dealer on our online dealer locator, potentially driving replacement part sales, new system sales and additional service work to you.

# Common Replacement Parts & Accessories



**A1101A**  
6BT-50063-82-00



**A1103**  
6BT-50005-78-00



**A1109**  
6BT-50005-84-00



**A1113**  
6BT-50086-62-00



**A1115**  
6BT-50005-90-00



**A1117**  
6BT-50005-94-00



**A1120**  
6BT-50086-60-00



**ATPBOLTCTRL**  
6BT-50011-08-00



**ATPDISP/ATPDISPBR**  
6BT-50011-12-00 / 6BT-50011-13-00



**ATPHYDCTRL**  
6BT-50011-19-00



**ATPSENSTD**  
6BT-50092-59-00



Available 5' - 20'  
(5' Increments)

**BAW20**  
6BT-50011-80-00



**BEA2000**  
6BT-50012-02-00



**BEA2100**  
6BT-50012-07-00



**BRC4000**  
6BT-50017-40-00



**BXADAC10PD-NH-4N**  
6BT-50092-58-00



**EH1071**  
6BT-50035-12-00



**EIC001**  
6BT-50024-23-00



**EIC101 / EIC102**  
6BT-50024-27-00 / 6BT-50024-34-00



Available 20' - 40'  
(5' Increments)

**EIC201**  
6BT-50024-47-00



**EIC301**  
6BT-50024-95-00



**EIC801**  
6BT-50026-78-00



**EIC901P / EIC901S**  
6BT-50086-71-00



**ES2000**  
6BT-50030-16-00



**H1170A**  
6BT-50085-94-00



**H1170B**  
6BT-50032-84-00



**H1174**  
6BT-50086-02-00



**H1175**  
6BT-50086-04-00



**H1176**  
6BT-50033-28-00



**H1178**  
6BT-50033-30-00



**H1179**  
6BT-50085-99-00



**JOY1000**  
6BT-50100-19-00



**OB19000E**  
6BT-50103-40-00



**PT950P**  
6BT-50051-07-00



**RM12 / RM24**  
6BT-50052-97-00 / 6BT-50053-02-00



**SEA3000**  
6BT-50111-72-00



**SSADAC10D-316**  
6BT-50109-60-00



Available 10' - 50'  
(5' increments)

**T112520**  
6BT-50063-64-00



**T1126**  
6BT-50063-81-00



**T1127**  
6BT-50063-82-00



**VP1135G24V**  
6BT-50079-56-00



**VP1135R**  
6BT-50086-74-00



**VP1135R24V**  
6BT-50079-59-00



**VP1138**  
6BT-50086-63-00



**VP1139**  
6BT-50099-17-00



**VP1140**  
6BT-50099-18-00



**VP1141**  
6BT-50099-19-00



**VP1146**  
6BT-50079-71-00



**VP1154**  
6BT-50099-24-00



**VP1159**  
6BT-50086-64-00



**VP1160**  
6BT-50079-79-00



**VP1161**  
6BT-50079-79-00



**WH100022**  
6BT-50080-16-00



**A1121**  
6BT-50086-61-00



**A1200S**  
6BT-50084-79-00



**BEA3000**  
6BT-50012-09-00



Available  
3', 5', 7', 10'  
**BHW4010**  
6BT-50012-45-00



**EIC601**  
6BT-50025-49-00



**EIC701**  
6BT-50026-34-00



Available in 2", 2.5", 3",  
3.25", 4", 4.5", 5", 5.5", 6"  
**H1171**  
6BT-50033-14-00



**H1172**  
6BT-50033-23-00



**OBI9000H**  
6BT-50103-41-00



**PT109 / PT110**  
6BT-50050-99-00



**V351HPU1**  
6BT-50086-73-00



**VPI135G**  
6BT-50079-55-00



**VPI142**  
6BT-50099-20-00



**VPI144**  
6BT-50099-22-00

Retail Packaging



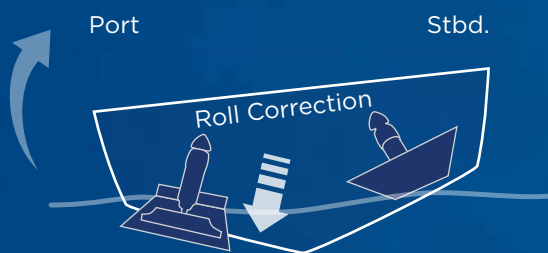
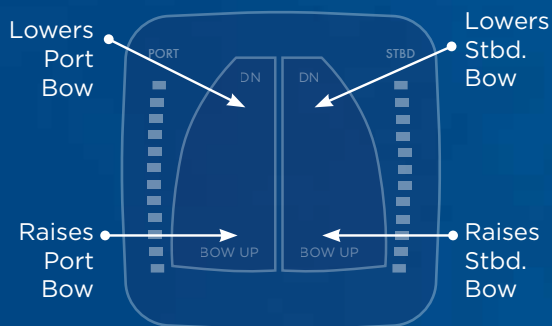
Bennett PN	Yamaha PN	Description
A1101A	6BT-50063-82-00	Standard Length Hydraulic Actuator
A1103	6BT-50005-78-00	Hydraulic Upper Hinge with O-Ring
A1109	6BT-50005-84-00	Piston with O-Ring
A1113	6BT-50086-62-00	Hydraulic Actuator Lower Hinge
A1115	6BT-50005-90-00	Lower Hinge Pin
A1117	6BT-50005-94-00	Small Actuator Piston with O-Ring
A1120	6BT-50086-60-00	Actuator Upper Hinge O-Ring
A1121	6BT-50086-61-00	Actuator Piston O-Ring
A1200S	6BT-50084-79-00	Small Hydraulic Actuator
ATPBOLTCTRL	6BT-50011-08-00	AutoTrim Pro Control Unit (Electric)
ATPDISP / ATPDISPBR	6BT-50011-12-00 / 6BT50011-13-00	AutoTrim Pro Helm Display
ATPHYDCTRL	6BT-50011-19-00	AutoTrim Pro Control Unit (Hydraulic)
ATPSENSTD	6BT-50092-59-00	AutoTrim Pro Standard Sensor Kit
BAW20	6BT-50011-80-00	20' Wire Harness
BEA2000	6BT-50012-02-00	Bolt Electric Actuator
BEA2100	6BT-50012-07-00	Bolt Actuator Uh Spacer
BEA3000	6BT-50012-09-00	Bolt Adjustable Actuator
BHW4010	6BT-50012-45-00	Helm Keypad Wire Extension - 10'
BRC4000	6BT-50017-40-00	Bolt Rocker Switch Control
BXADACIOPD-NH-4N	6BT-50092-58-00	BXA Premier Hydraulic Actuator
EHI071	6BT-50035-12-00	#10 x 1-1/4" Full Thread Screw
EIC001	6BT-50024-23-00	EIC Control/Display
EIC101 / EIC102	6BT-50024-27-00 / 6BT-50024-34-00	EIC Relay Module
EIC201	6BT-50024-47-00	EIC 20'
EIC301	6BT-50024-95-00	Wire Harness
EIC601	6BT-50025-49-00	EIC Bridge Hardware Pack
EIC701	6BT-50026-34-00	EIC Bridge Junction Box
EIC801	6BT-50026-78-00	EIC Bridge Wire Harness 20'
EIC901P / EIC901S	6BT-50086-71-00	EIC Upper Hinge with 10' Sensor Wire
ES2000	6BT-50030-16-00	Hydraulic Euro-Style Rocker Switch
H1170A	6BT-50085-94-00	Hydraulic Trim Tab Hardware Pack
H1170B	6BT-50032-84-00	Dual Actuator Hardware Pack
H1171(3-4)	6BT-50033-14-00	3" & 4" Pipe Nipples
H1172	6BT-50033-23-00	Female Elbow
H1174	6BT-50086-02-00	#14 x 1-1/2" Full Threaded Screw
H1175	6BT-50086-04-00	1/4 - 20 x 3/4" Machine Screw
H1176	6BT-50033-28-00	20 Amp Fuse
H1178	6BT-50033-30-00	Fuse Holder
H1179	6BT-50085-99-00	Mounting Bracket for HPU
JOY1000	6BT-50100-19-00	Joystick Helm Control
OBI9000E	6BT-50103-40-00	OBI Integrated Helm Control (Electric)
OBI9000H	6BT-50103-41-00	OBI Integrated Helm Control (Hydraulic)
PT109 / PT110	6BT-50050-99-00	Pigtail for Wire Harness / for HPU or Control
PT950P	6BT-50051-07-00	EIC Port Pigtail
RM12 / RM24	6BT-50052-97-00 / 6BT-50053-02-00	Relay Module 12V / 24V
SEA3000	6BT-50111-72-00	Short Electric Actuator
SSADACI0D-316	6BT-50109-60-00	SSA Premier Hydraulic Actuator
T112520	6BT-50063-64-00	Hydraulic Tubing 20'
T1126	6BT-50063-81-00	Brass Line Tee Fitting
T1127	6BT-50063-82-00	Nut with Ferrule
V351HPU1	6BT-50086-73-00	Hydraulic Power Unit
VPI135G	6BT-50079-55-00	Solenoid Valve 12V - Green Wire (Stbd.)
VPI135G24V	6BT-50079-56-00	Solenoid Valve 24V - Green Wire (Stbd.)
VPI135R	6BT-50086-74-00	Solenoid Valve 12V - Red Wire (Port)
VPI135R24V	6BT-50079-59-00	Solenoid Valve 24V - Red Wire (Port)
VPI138	6BT-50086-63-00	Lexan Cover
VPI139	6BT-50099-17-00	Fluid Reservoir
VPI140	6BT-50099-18-00	Filler Plug
VPI141	6BT-50099-19-00	Hex Retainer
VPI142	6BT-50099-20-00	Motor Strap
VPI144	6BT-50099-22-00	HPU Face Plate
VPI146	6BT-50079-71-00	1/8" Pipe to 1/4" Pipe Tube Connector
VPI154	6BT-50099-24-00	#8 x 3/4" Phil Pan Sheet Metal Screw
VPI159	6BT-50086-64-00	Valve Seat with O-Ring
VPI160	6BT-50079-79-00	HPU Valve Spring
VPI161	6BT-50079-79-00	HPU Valve Plunger
WHI00022	6BT-50080-16-00	Standard 22' Wire Harness

# A BETTER

## Reduce bow rise, plane faster, correct listing.

Properly sized trim tabs improve the performance of your boat by adjusting the running angle of your vessel. Bennett Marine trim tabs help you get on plane faster, correct listing to one side, improve visibility, and increase your fuel efficiency.

- Get up on plane quickly, and plane at lower speeds
- Increase performance and fuel efficiency
- Increase visibility
- Adjust the boat's attitude for changes in speed, sea conditions, and shifting weight
- Correct listing on either side of the boat



When the port tab is lowered independently, an upward force at the port stern of the boat is created. The inverse applies when lowering the starboard tab independently.

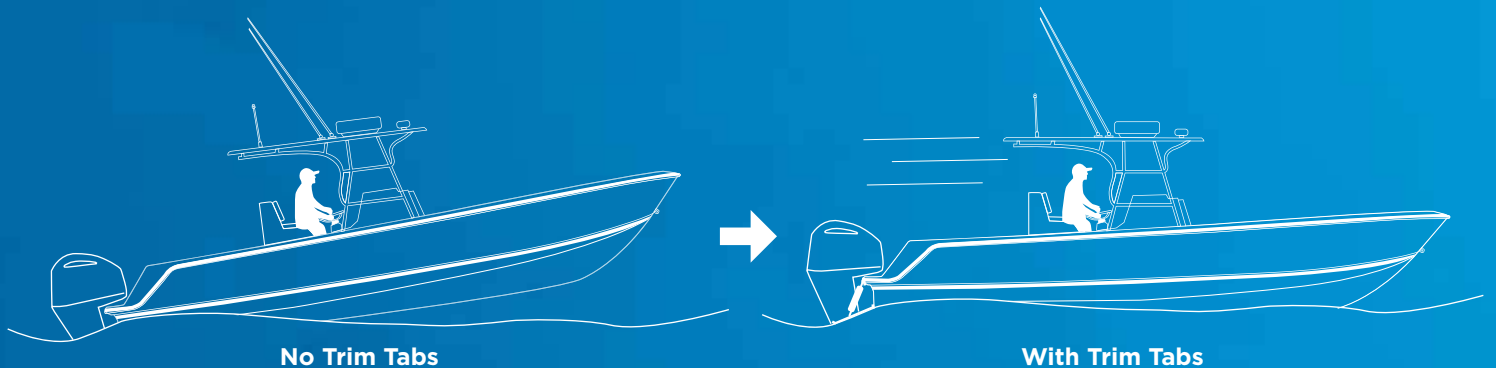


# R RIDE



Learn more at  
[BennettTrimTabs.com/Guide](https://BennettTrimTabs.com/Guide)

- Key features & benefits
- Sizing guidelines
- System comparison
- Install tips, and more



## How Trim Tabs Work

When the tabs are deployed downward, the water force on the trim tab surface creates upward pressure, raising the stern and lowering the bow. The port trim tab lowers the starboard bow, and the starboard trim tab lowers the port bow. The control is intuitively wired so that all you have to do is press the button in the direction you want the bow to move.

### The Undisputed Leader

In 1960, Charles Bennett invented the first adjustable trim tab system. Since then, we've continued to innovate and have introduced a myriad of industry-changing products. We've worked with the best boat builders and enthusiasts in the world to create a host of exceptional products, and we back them with the best warranty in the industry. Bennett Marine is also the only manufacturer that offers both electric and hydraulic trim tab systems.



# ENJOY THE RIDE

Benefits you can feel. Quality you can trust.

5012058 r120525