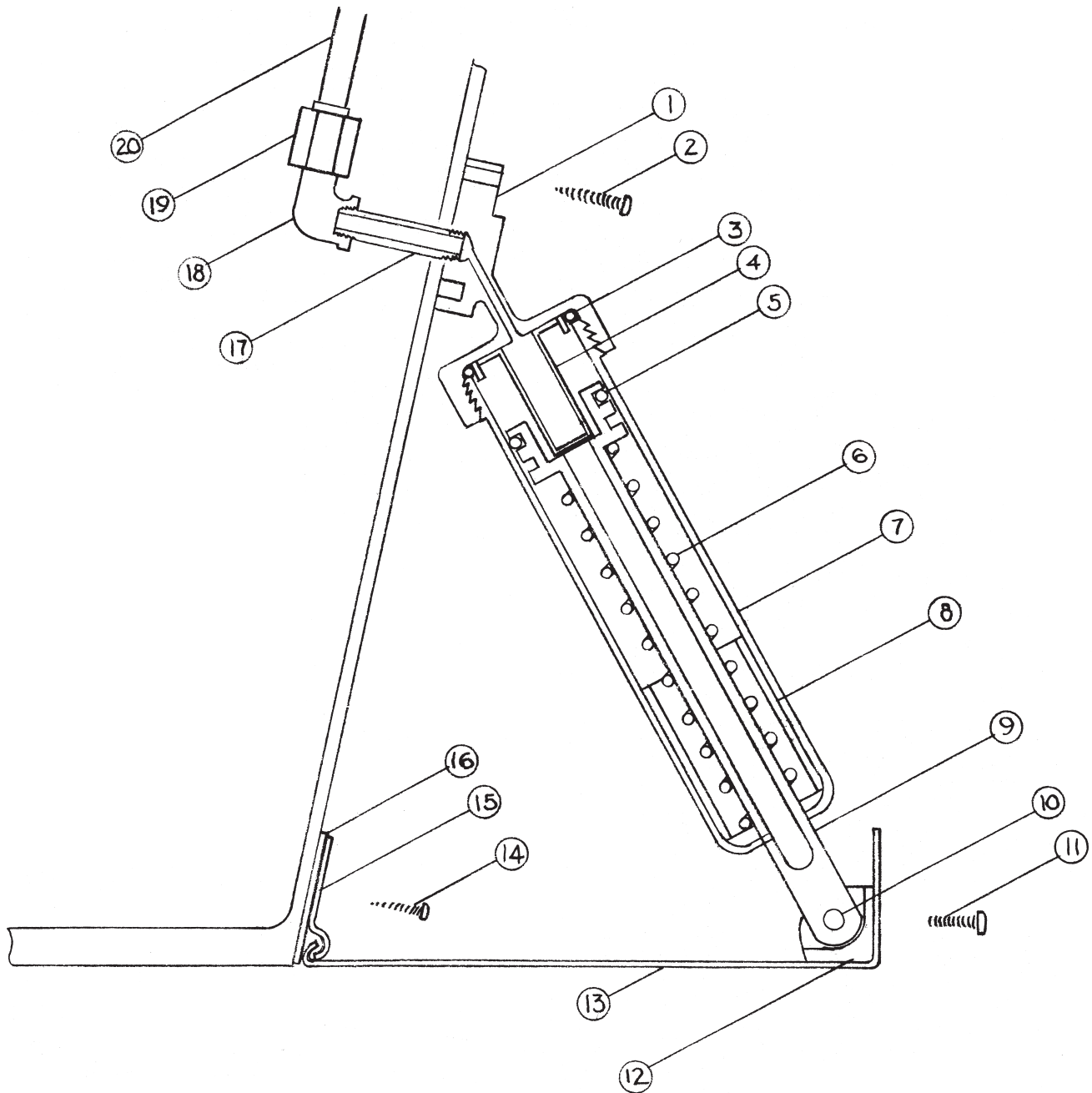


ACTUATOR

Part Name	Part #	Part Name	Part #
1. Upper Hinge with O-Ring.....	A1103	11. 1/4-20 x 3/4" Machine Screw.....	H1175
2. #14 x 1-1/2" Screw.....	H1174	12. Lower Hinge.....	A1113
3. -224 O-Ring.....	A1120	13. Trim Plane.....	Varies With Model
4. Spacer..... Only Available With Upper Hinge		14. #10 x 1-1/4" Screw.....	EH1071
5. -220 O-Ring.....	A1121	15. Hinge Plate.....	Varies With Model
6. Actuator Spring.....	Varies With Model	16. Backing Plate.....	Varies With Model
7. Cylinder.....	A1105	17. Brass Pipe Nipple.....	H1171
8. Sleeve.....	Varies With Model	18. Female Elbow.....	H1172
9. Piston With O-Ring.....	A1109	19. Nut w/ferrule.....	T1127
10. Pin.....	A1115	20. Tubing.....	T1125



BENNETT MARINE • 550 Jim Moran Blvd • Deerfield Beach, FL 33442 • USA
 Phone: +1.954.427.1400 • Fax: +1.954.480.2897 • www.BennettTrimTabs.com